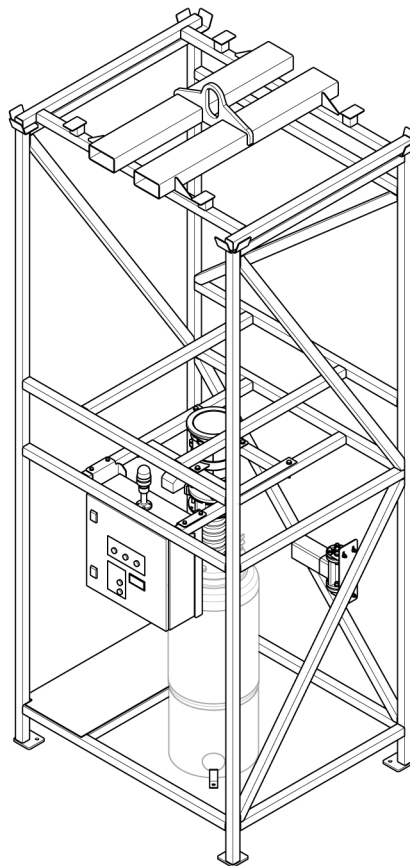




# ***Flux BigBag Discharge Unit***

***Discharge units for ESAB's 600 and 1000 kg BigBag***



**Spare parts list**  
**Original instructions**

<b>Ordering no.</b>	<b>Product</b>	<b>Notes</b>	<b>Serial no.</b>
0912 716 880	Flux BigBag Discharge Unit	1000 kg	LX504-xxxx-xxxx
0912 897 880	Flux BigBag Discharge Unit	600 kg	LX510-xxxx-xxxx

Spare parts may be ordered through your nearest ESAB dealer, see [esab.com](https://www.esab.com). When ordering, please state product type, serial number, denominations and ordering numbers according to the spare parts list. This facilitates dispatch and ensures correct delivery.

Maintenance and repair work should be performed by an experienced person, and electrical work only by a trained electrician. Use only recommended spare parts.

TABLE OF CONTENTS

---

- 1 SPARE PARTS ..... 4**
  - 1.1 Flux BigBag Discharge Unit 1000 kg ..... 4**
  - 1.2 Flux BigBag Discharge Unit 600 kg ..... 6**
  - 1.3 Bag connection assy ..... 7**
  - 1.4 Bag connection ..... 9**
  - 1.5 Electrical equipment ..... 10**
  - 1.6 Cabinet K BigBag system ..... 11**
  - 1.7 Cable set BigBag system ..... 13**
  - 1.8 Evacuation valve ..... 14**

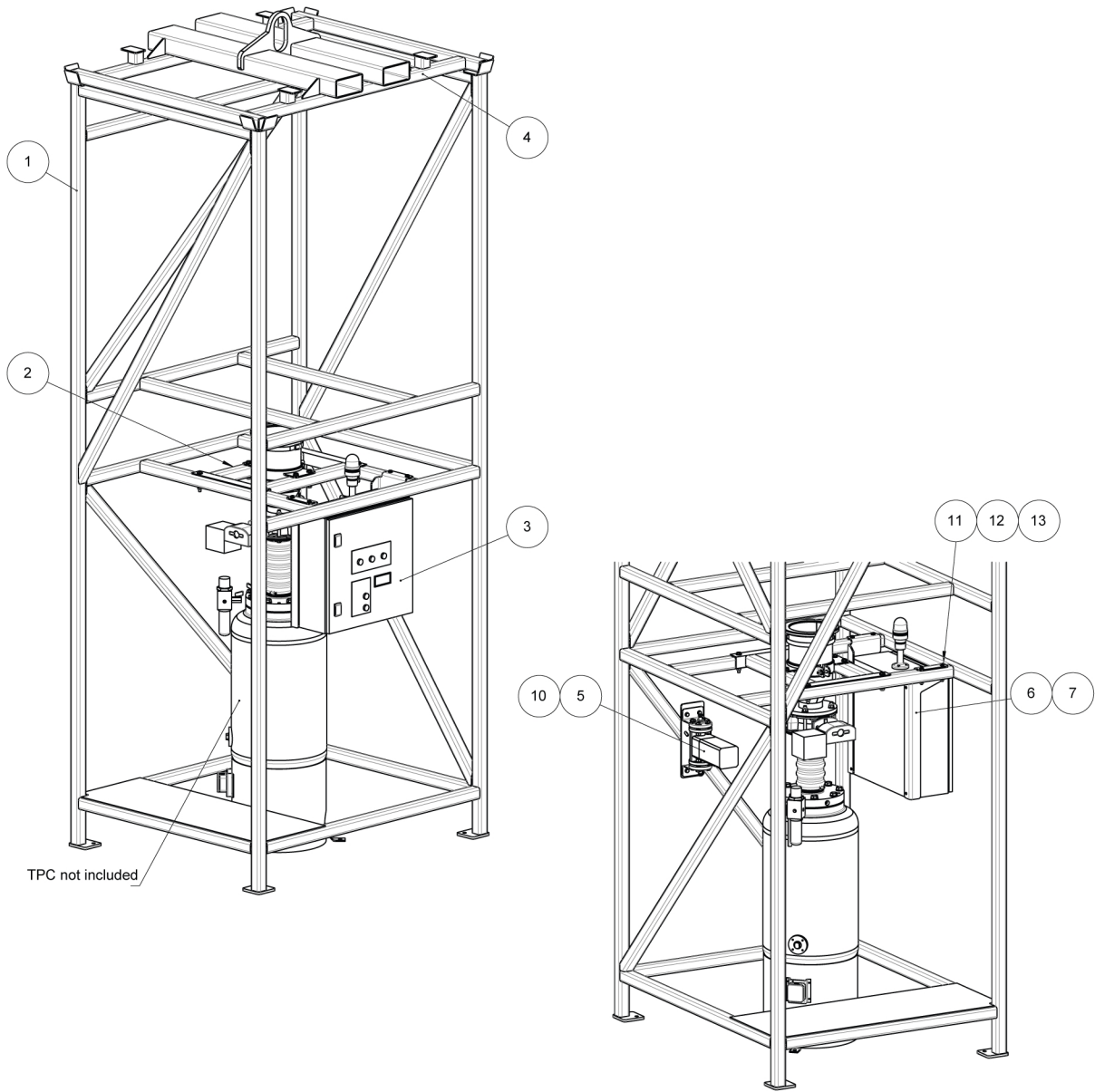
---

# 1 SPARE PARTS

---

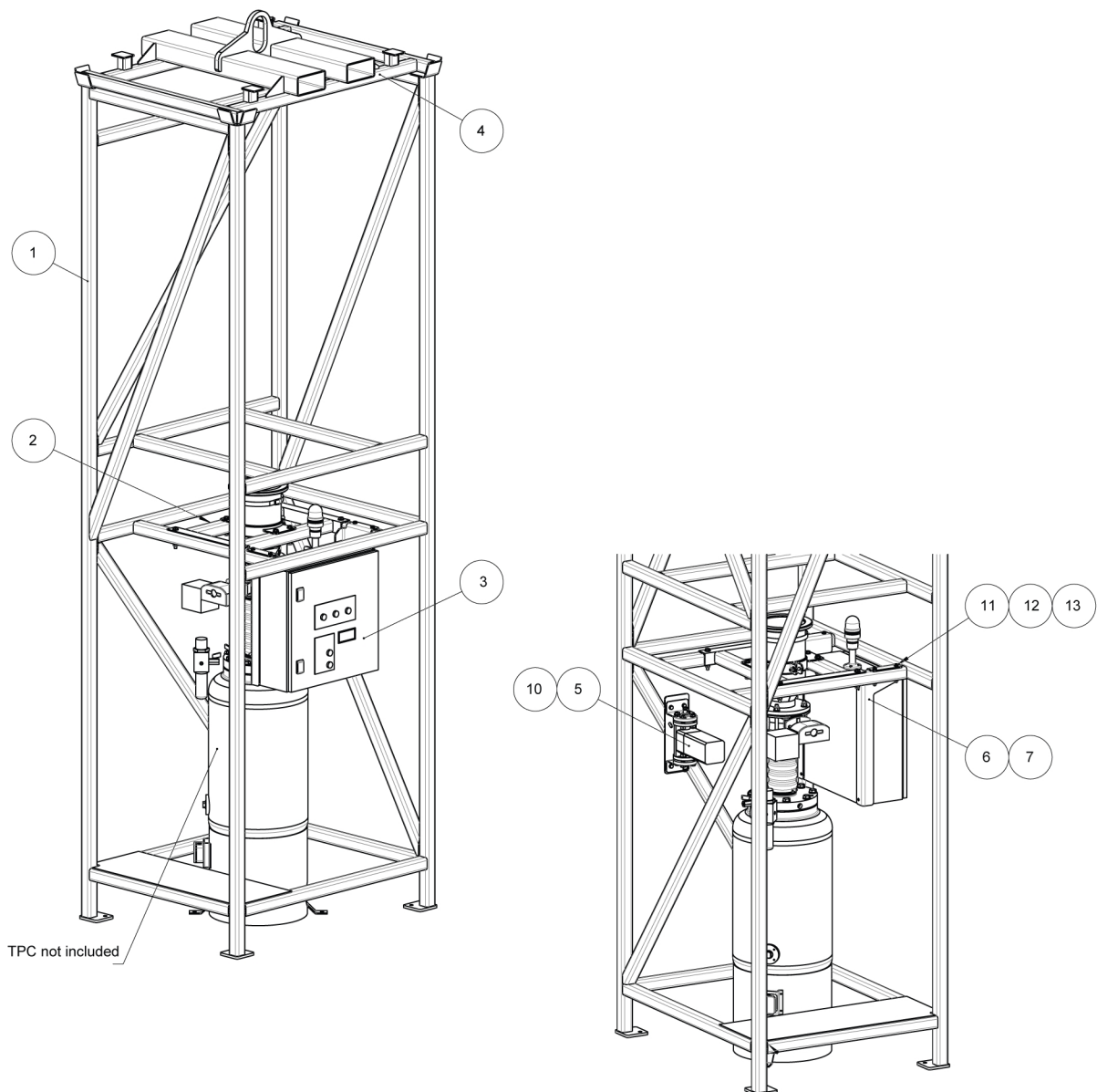
## 1.1 Flux BigBag Discharge Unit 1000 kg

Item	Qty	Ordering no.	Denomination	Notes
		<b>0912 716 880</b>	<b>Flux BigBag Discharge Unit</b>	<b>1000 kg</b>
1	1	0912 715 880	Stand	
2	1	0912 711 881	Bag connection assy	
3	1	0907 760 962	Electrical equipment	
4	1	0912 767 001	Lifting device	
5	1	0912 768 880	Evacuation valve	
6	1	0912 766 001	Cabinet bracket L	
7	1	0912 766 002	Cabinet bracket R	
10	1.5 m	0190 343 109	Rubber reinforced hose	D26/16
11	4		Screw	M6S, M8 x 70
12	8		Washer	8.4 × 16
13	4		Nut	M8



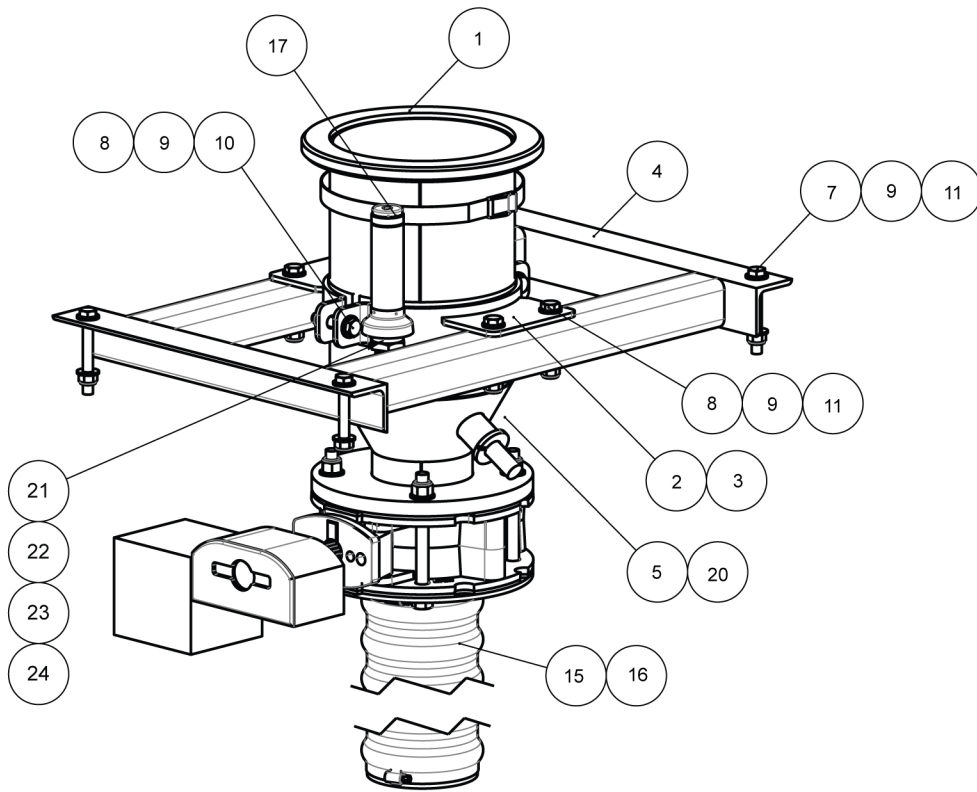
## 1.2 Flux BigBag Discharge Unit 600 kg

Item	Qty	Ordering no.	Denomination	Notes
		<b>0912 897 880</b>	<b>Flux BigBag Discharge Unit</b>	<b>600 kg</b>
1	1	0912 896 880	Stand	
2	1	0912 711 881	Bag connection assy	
3	1	0907 760 962	Electrical equipment	
4	1	0912 767 002	Lifting device	
5	1	0912 768 880	Evacuation valve	
6	1	0912 766 001	Cabinet bracket L	
7	1	0912 766 002	Cabinet bracket R	
10	1.5 m	0190 343 109	Rubber reinforced hose	D26/16
11	4		Screw	M6S, M8 × 70
12	8		Washer	8.4 × 16
13	4		Nut	M8



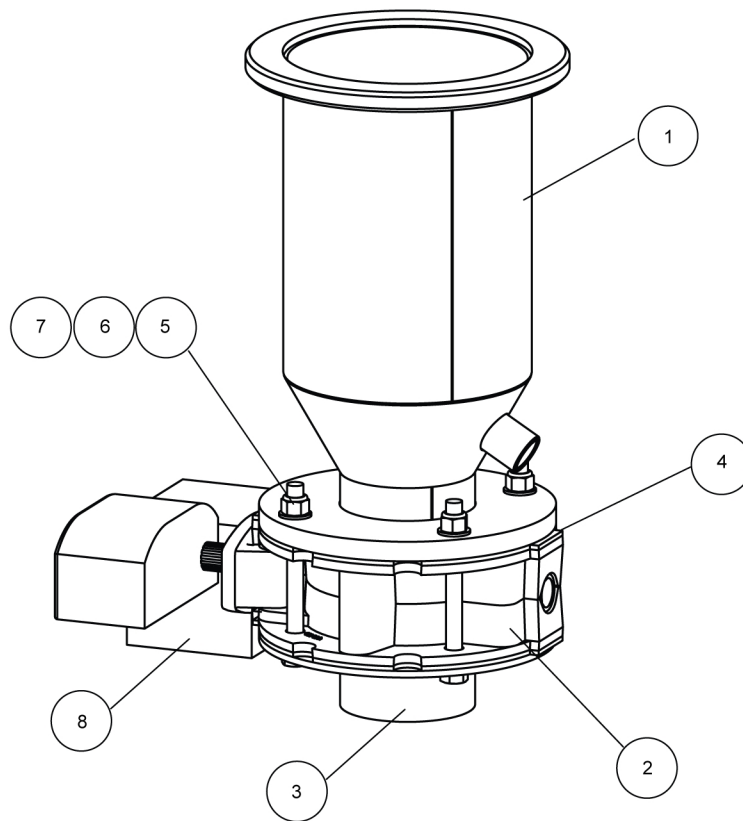
### 1.3 Bag connection assy

Item	Qty	Ordering no.	Denomination	Notes
		<b>0912 711 881</b>	<b>Bag connection assy</b>	
1	1	0912 764 880	Bag connection	
2	2	0912 676 880	Clamp	
3	2	0912 678 001	Rubber strip	
4	1	0912 675 881	Frame	
5	1	0912 713 001	Mounting adapter	
6	1	0912 714 001	Rotary valve	DN100
7	4		Screw	M6S, M10 × 80
8	20		Washer	22/10.5 × 2
9	10		Nut	M10
10	2		Screw	M10 × 50
11	4		Screw	M10 × 70
13	4		Washer	22/13 × 2
15	2	0252 900 416	Clamp	
16	0.25 m	0379 016 005	Hose	D112/102
17	1	0192 855 002	Tensioning strap	L=800 mm W=20 mm
20	1	0395 133 003	Capacitive limit switch	With cable (2 m)
21	1	0192 119 110	Nipple double	DN1212
22	1	0906 128 004	Muff	G 1/2"
23	1	0416 897 001	Elbow	1/2"
24	1	0912 126 002	Safety valve	



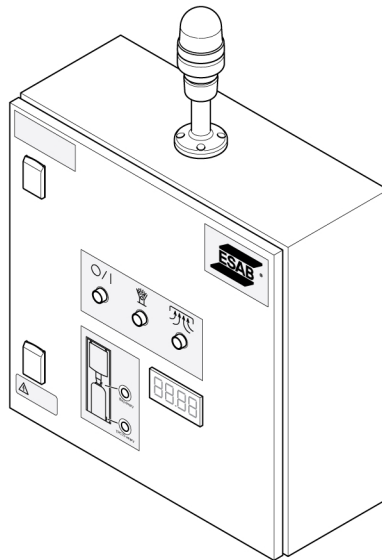
## 1.4 Bag connection

Item	Qty	Ordering no.	Denomination	Notes
		<b>0912 764 880</b>	<b>Bag connection</b>	
1	1	0912 677 880	Bag connection	
2	1	0912 764 002	Rotary valve	V2FS 100
3	1	0912 764 003	Valve connection	
4	1	0912 764 004	Valve gaskets	
5	4		Nut	M12
6	4		Screw	M12 × 120
7	4		Washer	D24/13 × 2
8	1	0912 764 008	Rotary actuator, valve	CPU102MV



## 1.5 Electrical equipment

Item	Qty	Ordering no.	Denomination	Notes
		<b>0907 760 962</b>	<b>Electrical equipment</b>	
1	1	0907 761 962	Cabinet K BigBag system	
2	1	0907 762 962	Cable set BigBag system	

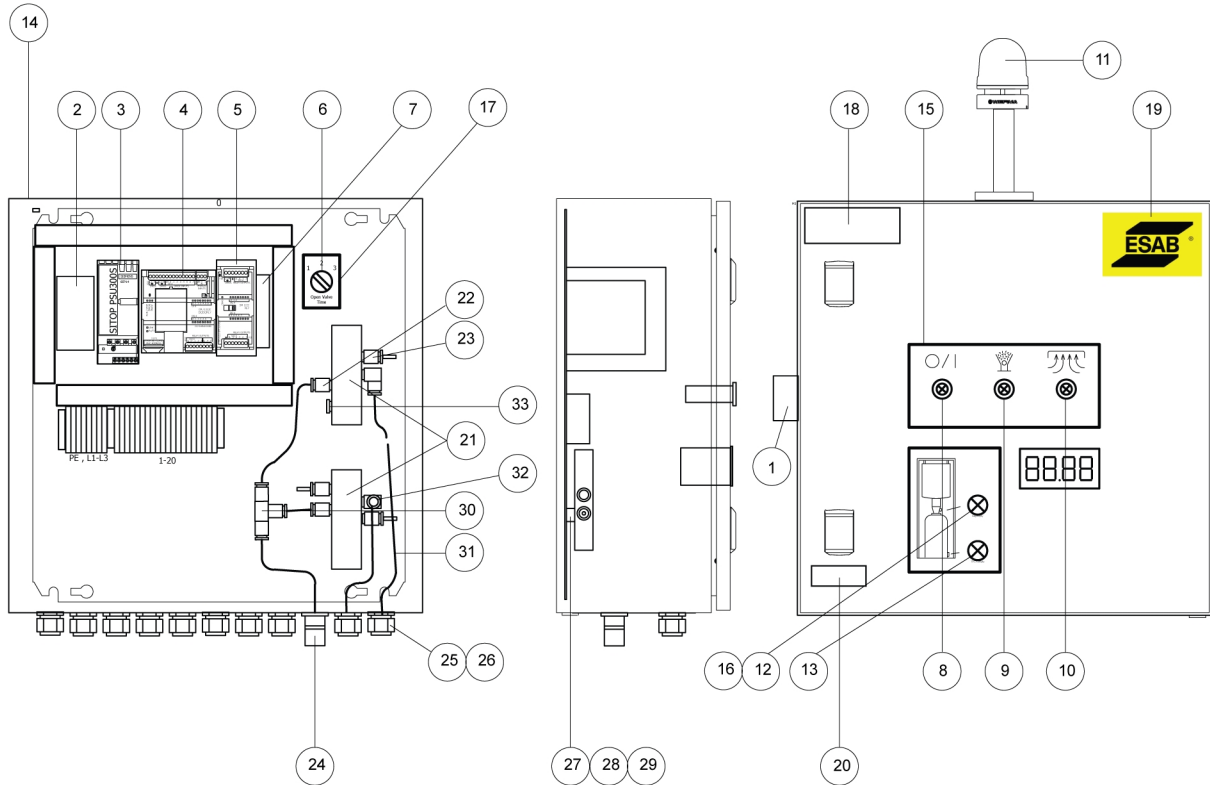


## 1.6 Cabinet K BigBag system

Item	Qty	Ordering no.	Denomination	Notes
		<b>0907 761 962</b>	<b>Control cabinet</b>	
1	1	0800 767 001	Main switch, loadbreaker	
2	1	0805 586 203	Overload relay	0.4-0.63 A
3	1	0908 800 400	Power supply	24 V DC/5A 3 AC 400 V
4	1	0802 524 504	CPU 1212C	8DI24V, 6DO Relay, 2AI
5	1	0802 524 530	SIMATIC S7-1200 8 DO 2A	
6	1	0806 738 027	Rotary switch	3 ways
7	1	0452 116 004	Relay	2VX 24 V DC
7	1	0452 116 008	Socket	
8	1	0806 738 085	Pushbutton with lamp	White, start
9	1	0806 738 085	Pushbutton with lamp	White, open
10	1	0806 738 085	Pushbutton with lamp	White, ventilate
11	1	0807 324 101	Warning light with sound	Orange
11	1	0807 324 112	Adaptor tube with warning light	
11	1	0807 324 120	Base for tube warning light	
11	1	0807 324 121	Tube, warning light	100 mm
12	1	0806 738 353	Signal light	Red
13	1	0806 738 353	Signal light	Red
14	1	0910 301 008	Cabinet	AX RITTAL 500 × 500 × 210
15	1	0912 375 901	Sign Big Bag system buttons	Control buttons
16	1	0912 375 902	Sign Big Bag system warning	Empty flux warning
17	1	0912 375 903	Sign Big Bag system t. switch	Open valve time
18	1	0432 076 003	Plate	Control Cabinet "B"
19	1	0192 370 009	Plate	ESAB 80 × 120
20	1	0319 529 001	Plate	Warning
21	2	0417 859 004	Magnetic valve	5/2 ways
22	5	0820 218 001	Hose connector	
23	3	0820 220 001	Plug	
24	1	0820 175 001	Nipple	
25	10	0807 952 002	Cable glands	M16 × 1.5
26	10	0807 952 102	Cable gland nut	M16 × 1.5
27	4	0394 516 019	Distance screw	M4 × 12
28	4		Nut	M4 steel 8.8
29	4		Screw	Allen screw steel 8.8 M4 × 25
30	1	0820 217 001	T-coupling	
31	5	0820 223 001	Plastic tube	

1 SPARE PARTS

Item	Qty	Ordering no.	Denomination	Notes
32	2	0826 940 026	Pneumatic coupling	Ø8 G1/8"
33	1	0417 859 006	Silencer	

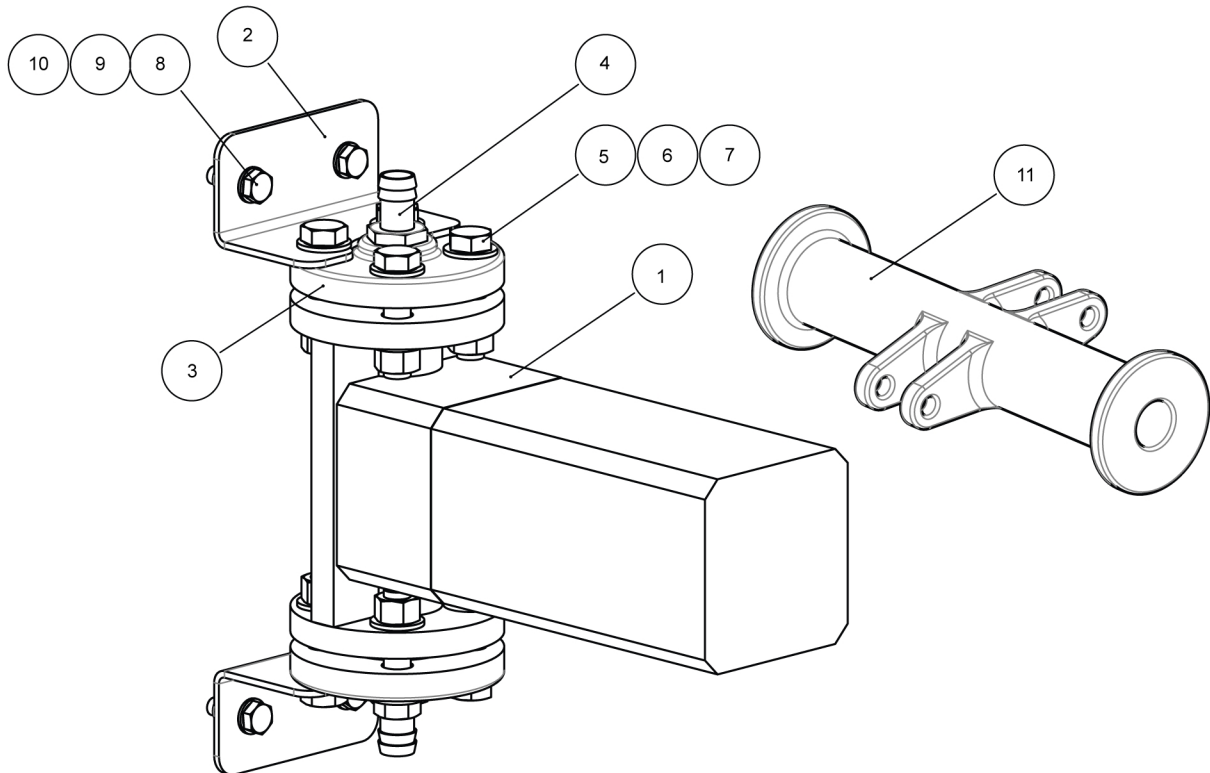


## 1.7 Cable set BigBag system

Item	Qty	Ordering no.	Denomination	Notes
		<b>0907 762 962</b>	<b>Cable set BigBag system</b>	
1	2 m	0802 803 026	ÖLFLEX 110	3 × 0.75, D=6
2	1 m	0802 803 024	ÖLFLEX 110	2 × 0.75, D=5.7
3	1 m	0802 803 024	ÖLFLEX 110	2 × 0.75, D=5.7
4	1 m	0802 803 024	ÖLFLEX 110	2 × 0.75, D=5.7

## 1.8 Evacuation valve

Item	Qty	Ordering no.	Denomination	Notes
		<b>0912 768 550</b>	<b>Evacuation valve</b>	
1	1	0912 102 001	Pinch valve	DN15
2	2	0912 769 001	Valve bracket	
3	2	0912 765 001	Threaded flange	DN15
4	2	0417 797 001	Hose nipple	D 17-R1/2"
5	8		Screw	M12 × 50
6	16		Washer	22/13 × 2
7	8		Nut	M12
8	4		Screw	M8 × 25
9	8		Washer	8.4 × 16
10	4		Nut	M8
11	1	0912 102 008	Sleeve EPDM	DN15







# A WORLD OF PRODUCTS AND SOLUTIONS.



For contact information visit [esab.com](http://esab.com)

ESAB AB, Lindholmsallén 9, Box 8004, 402 77 Gothenburg, Sweden, Phone +46 (0) 31 50 90 00

[manuals.esab.com](http://manuals.esab.com)

